



Network camera exceeding the human eye featured by *Super Dynamic III*

Key Features






- Built-in MPEG-4 and JPEG digital signal output at VGA image size with up to 30 ips.
- MPEG-4/JPEG dual stream output for simultaneous live monitoring and high resolution recording.
- Progressive Output with motion adaptive interlace/progressive conversion allows every frame to be clear even when the object is moving.
- **Super Dynamic III** technology delivers 128x wider dynamic range compared to conventional cameras.
- High sensitivity: Color: 0.7 lux (Sens up OFF), B/W: 0.5 lux (Sens up OFF)
- Simple Day-Night function (No IR cut filter moving)
- Up to 32x automatic electronic sensitivity enhancement.
- Video Motion Detector with 4 programmable detection areas and 3 sensitivity levels.
- 22x zoom lens with 10x digital zoom enabling 220x zoom
- Auto tracking: Pan and tilt automatically controlled to keep moving objects centered in screen.
- PTZ control can be taken on the user friendly GUI with 16 speeds pan/tilt and new "Drag and Zoom" operation enabling finer control. 256 speeds available for system with WV-CU950 system controller.
- Up to 64 preset positions
- 360 map shot: 8 thumbnail images at 45 deg. intervals make it simple to direct the camera easily by clicking on a thumbnail.
- Built-in network interface (10Base-T / 100Base-TX).
- Power over Ethernet (PoE) IEEE 802.3af.
- Multiscreen: Image from 16 cameras can be displayed in 4 different Quad screens or 16-screen (JPEG only)
- FTP client function enables periodic image data transfer or transfer upon alarm
- Alarm notification via E-mail.
- Max. bit rate/client for MPEG-4 (64 / 128 / 256 / 512 / 1,024 / 2,048 / 4,096 kbps) and Total bit rate control (64 / 128 / 256 / 512 / 1,024 / 2,048 / 4,096 kbps / Unlimited) allowing flexible network management.
- 2-way audio feature (G.726, 32 / 16 kbps)
- Alarm log, Manual REC log, FTP error log saved in the SD card is displayed on the browser GUI and can be downloaded to the client PC. Playback or Image data download through the log is also available.

- Multi-language GUI and setup menu: English, French, Italian, Spanish, German, Polish, Russian (PAL), English, French (NTSC), (Installation required except for English).
- SD Memory card slot for Manual recording, Alarm recording and Backup upon network failure.
- Alarm sources include Terminal 1 ~ 3, VMD and Panasonic alarm command. Selectable alarm actions include SD memory recording, FTP image transfer, E-mail notification, Alarm indication, Terminal output, Camera positioning, Auto track and Panasonic protocol output.
- Scheduling function for Alarm / VMD / Access permission, Preset position call and Position refresh.
- Industrial grade Pan/Tilt/Zoom mechanism for high reliability
- One-touch Fitting Mechanism for easy installation
- Desktop/Ceiling position choice and various optional brackets for versatile installations

Standard Accessories

- | | |
|---|---|
| • CD-ROM*1 pc. | • Fixing Screw |
| • Installation Guide1 pc. | 2 pcs. (incl. a spare screw) |
| * The IP setup software, the viewer software and the network operating instructions (PDF) are included on the CD-ROM. | |
| • The following are for installation. | • Decorative Cover 1 pc. |
| • Mount Bracket (w/safety wire)..... 1 pc. | • DC 12 V Power Cord Plug 1 pc. |
| | • Code Label* 1 pc. |
| | * It will be needed for network management. A network administrator should keep this label. |

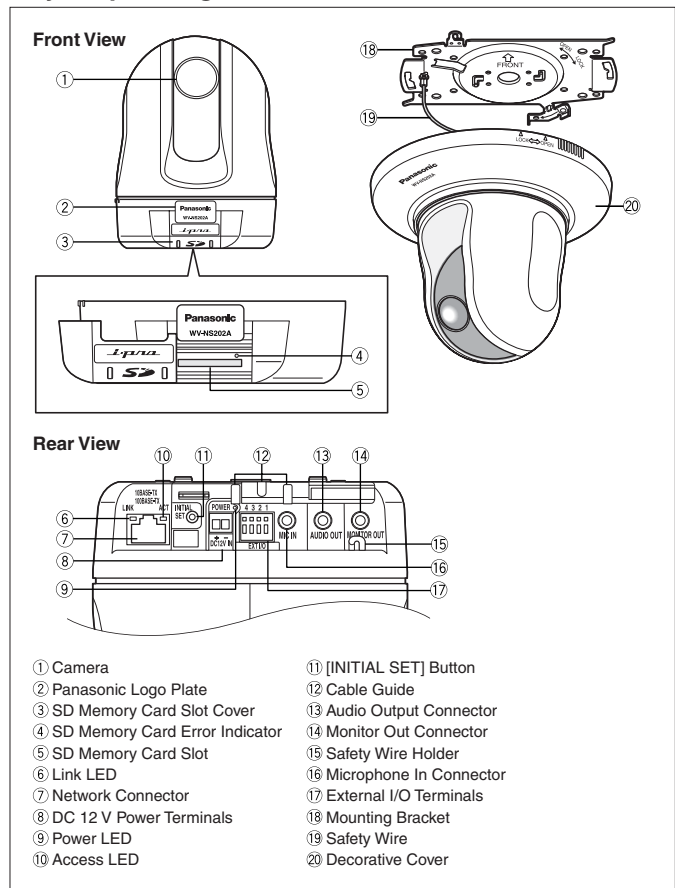
Optional Accessories

<p>Inner Dome Cover WV-Q153</p> 	<p>Ceiling Mount Brackets WV-Q152C (Clear) WV-Q152S (Smoke)</p>  <p>(Smoke Type)</p>	<p>Embedded Ceiling Mount Brackets WV-Q151C (Clear) WV-Q151S (Smoke)</p>  <p>(Smoke Type)</p>
<p>Wall Mount Brackets WV-Q150C (Clear) WV-Q150S (Smoke)</p>  <p>(Smoke Type)</p>	<p>Direct Ceiling Installation WV-Q105</p> 	

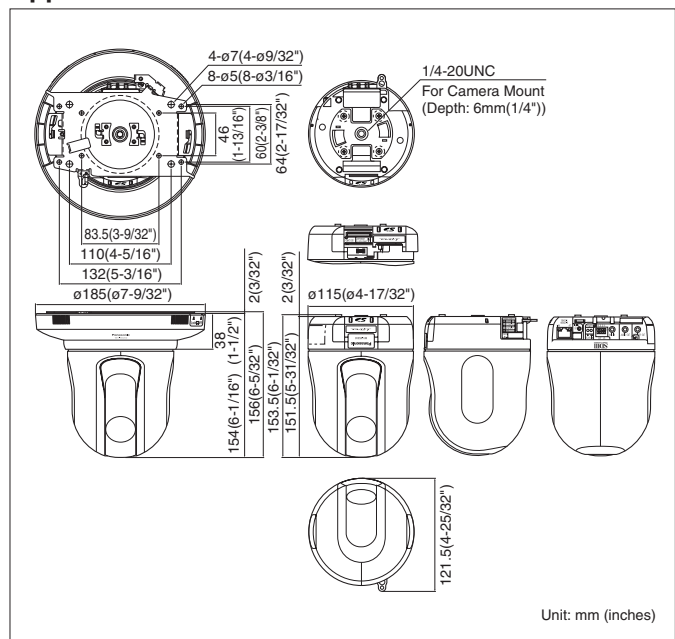
Specifications

TV System	NTSC	PAL		
Camera	Image Sensor	1/4-type interline transfer CCD, Effective pixels: 768 (H) x 494 (V), Scanning Area: 3.59 (H) x 2.70 (V) mm		
	Scanning Mode	2:1 interlace scan (with motion adaptive interlace/progressive conversion)		
	Minimum Illumination	Color (30 IRE): 0.7 lux (Sens up: OFF), 0.02 lux (Sens up: 32x) at F1.6 B/W (10 IRE): 0.5 lux (Sens up: OFF), 0.015 lux (Sens up: 32x) at F1.6		
	White Balance	AWC (2,000 - 10,000 K), ATW1 (2,700 - 6,000 K), ATW2 (2,000 - 6,000 K)		
	Light Control	Automatic integration of ALC/ELC		
	AGC	ON (LOW) / ON (MID) / ON (HIGH) / OFF		
	Super Dynamic III	ON or OFF (with BLC masking)		
	Dynamic Range	52 dB typical (Super Dynamic III: ON, Shutter speed: OFF)		
	Electronic Shutter	OFF (1/60), AUTO, 1/100		
	Electronic Sensitivity UP	OFF / AUTO (2x, 4x, 6x, 10x, 16x, 32x)		
	Digital Noise Reduction	High / Low		
	Black and White Mode	OFF / Auto (No IR moving)		
	Video Motion Detector	For preset position: 4 programmable detection areas, Sensitivity: 6 steps Non-preset position: Detects entire screen except clock area, Sensitivity: 6 steps		
	Privacy Zone	Up to 8 zones, Gray/Mosaic		
	Up Side Down	ON (desktop) / OFF (ceiling)		
	Lens	Camera Title	Up to 16 characters (alphanumeric characters, marks)	
		Type	22x (3.79 mm - 83.4 mm) Zoom lens, 220x with 10x digital zoom, F: 1:1.6 (WIDE) - 3.0 (TELE)	
Angular Field of View		H: 2.6° (TELE) - 51.7° (WIDE), V: 2.0° (TELE) - 39.9° (WIDE)		
Pan and Tilt	Min. Object Distance	1.6 m		
	Panning Range	0° ~ 350°		
	Panning Speed	Manual: approx. 1°/s ~ 100°/s, Up to 256 steps (depending on the controller) Preset: up to approx. 300°/s		
	Tilting Range	-30° ~ 90° (upward-level-downward)		
	Tilting angle limit	0° / -5° / -10° / -15° / -20° / -25° / -30°		
	Tilting Speed	Manual: approx. 1°/s ~ 100°/s, Up to 256 steps (depending on the controller) Preset: up to approx. 100°/s		
	Proportional Pan/Tilt Control	Yes		
	Number of Preset Positions	64		
	Auto Mode	OFF/ preset sequence / auto pan / auto track		
	Image Hold	ON / OFF		
	PTZ Position Display	ON / OFF		
	Map Shot	360° map shot / preset map shot		
	Browser GUI	Camera Control	Pan/Tilt (16 steps), Zoom, Focus, Click centering, Drag zoom, Iris, Preset position call and program, Auto mode.	
		Display Mode	Image from 16 cameras can be displayed in 4 different Quad screens or 16-screen (JPEG only). 20 characters camera title available.	
		SD Memory Data Download	Images recorded in the SD memory card can be downloaded.	
		Clock Display	Time: 12H/24H, Date: 5 formats on the browser, Summer time (Manual)	
		GUI/Setup	English, French	English, French, Italian, Spanish, German, Polish,
Menu Language		(Installation required for French)	Russian (Installation required except for English.)	
System Log		Alarm log, Manual REC log, FTP error log (SD memory required)		
Supported OS		Microsoft Windows® 2000 Professional SP4, Microsoft Windows® XP Professional/Home SP2 English, French, Italian, Spanish, German		
Supported Browser		Internet Explorer 7.0 Internet Explorer 6.0 SP2 (Windows® XP Home/Professional SP2) Internet Explorer 6.0 SP1 (Only Windows® 2000 Professional SP4)		
Network		Network IF	10Base-T / 100Base-TX, RJ45 connector	
	Image Resolution	VGA (640 x 480) / QVGA (320 x 240)		
	Image Compression	MPEG-4: Image quality: LOW/NORMAL/FINE, Transmission type: UNICAST/MULTICAST JPEG: Image quality: 10 steps, Transmission type: PULL/PUSH		
	Image Refresh Rate (JPEG)	0.1 / 0.2 / 0.33 / 0.5 / 1 / 2 / 3 / 5 / 6 / 10 / 15 / 30 ips (Max. rate will be 5 ips-VGA, 10 ips-QVGA when transmitting JPEG and MPEG-4 simultaneously)		
	Audio Compression	G.726 (ADPCM) 32 kbps/16 kbps		
	Audio Mode	OFF / Mic input / Audio output / Interactive		
	Total Bit Rate	64 / 128 / 256 / 512 / 1,024 / 2,048 / 4,096 kbps / Unlimited		
	Max. Bit Rate/Client (MPEG-4)	64 / 128 / 256 / 512 / 1,024 / 2,048 / 4,096 kbps		
	Supported Protocol	TCP/IP, UDP/IP, HTTP, FTP, SMTP, DHCP, DNS, DDNS, NTP, SNMP, RTP		
	FTP Client	Alarm image transfer, Periodic image transfer		
	No. of Simultaneous Users	Up to 8 users		
	SD Memory Card (Option)	Manual REC/Alarm REC/Backup upon network failure. Compatible SD card: Panasonic 64MB, 128MB, 256MB, 512MB, 1GB, 2GB model. SDHC standard card not supported.		
	User Registration	Up to 16 users		
	User Level	3 Levels: Administrator, Camera control, Live only		
	Security Method	User authentication (ID and Password), Host authentication (IP address)		
	Alarm	Alarm Source	3 x Terminal inputs, VMD, Command alarm	
		Alarm Actions	SD memory recording, E-mail notification, Indication on browser, Camera positioning, FTP image transfer, Terminal output, Panasonic protocol output, Auto track	
Alarm Log		With SD memory card: 5,000 logs, Without SD memory card: 1,000 logs		
Input/ Output	Schedule	Alarm/VMD/Access permission, Preset position call, Position refresh		
	Monitor Output	1.0 V [p-p] / 75 Ω, NTSC composite, ø3.5 mm mini jack	1.0 V [p-p] / 75 Ω, PAL composite, ø3.5 mm mini jack	
	External I/O Terminals	ALARM IN 1, ALARM IN 2/ALARM OUT, ALARM IN3/AUX OUT		
	Microphone Input	MIC IN (Applicable microphone; Plug-in power type) Supply voltage: 2.5 V ±0.5 V Input impedance: 3 KΩ ±10 %		
General	Audio Output	AUDIO OUT ø3.5 mm stereo mini jack (monaural output) Line level		
	Safety/EMC Standard	UL 6500, C-UL (E60065), FCC Part15 ClassA, ICES003 ClassA	CE (EN55022 ClassB EN55024), GOST (R 51558)	
	Power Source/Consumption	DC 12 V: approx. 1,000 mA, PoE: approx. 12.0 W (IEEE802.3af compliant, Class 0 device)		
	Ambient Operating Temperature/Humidity	-10 °C ~ +45 °C (14 °F ~ 122 °F), 90 % or less (without condensation)		
	Dimensions	ø115 mm x 154 mm (H) (ø4-17/32" x 6-1/16" (H)) (excluding the DC 12 V power cord plug)		
Weight	Camera: approx. 850 g (1.87 lbs.) Accessories (Camera mounting bracket, decorative cover): approx. 200 g (0.44 lbs.)			

Major Operating Controls & Terminals



Appearance



Trademarks and registered trademarks

- Microsoft, and Windows are registered trademarks of Microsoft Corporation in the U.S. and other countries.
- SD logo is a trademark.

Important

- Safety Precaution: carefully read the operating instructions and installation manual before using this product.
- Panasonic can not be responsible for network performance and/or other manufacturer products that reside on the network.

- All TV pictures/menu are simulated.
- Weights and dimensions are approximate.
- Specifications are subject to change without notice.
- These products may be subject to export control regulations.
- Product pictures shown in this catalog are all NTSC models.

DISTRIBUTED BY:

Panasonic
Panasonic is the brandname of Matsushita Electric.
Printed in Japan
(2A-003A)